

## Bulk Metal® Foil Technology Power Current Sensing Resistors with TCR of 5 ppm/°C and Power Rating up to 7 W



Any value available within resistance range

These Bulk Metal® Foil power current sensing resistors are direct replacements for certain wirewound devices but without the inductive characteristics of wirewounds. The anodized aluminum housing is drilled and countersunk to accept flat head screws for thermal mounting. Because the device is internally Kelvin connected, there is no restriction on the lead lengths as would be the case if this were a two terminal device. Frequently used in YIG oscillator circuits these devices contribute to superior frequency stability.

### FEATURES

- Temperature Coefficient of Resistance (TCR):  
± 5 ppm/°C (Above 10 Ω)  
± 10 ppm/°C (Below 10 Ω)
- Tolerance: to ± 0.01 %
- Resistance Range: 1 Ω to 100 kΩ
- Electrostatic Discharge (ESD) above 25 000 V
- Non Inductive, Non Capacitive Design
- Rise Time: 1.0 ns without ringing
- Current Noise: < - 40 dB
- Thermal EMF: < 0.05 μV/°C typical
- Voltage Coefficient: < 0.1 ppm/V
- Non-Inductive: < 0.08 μH
- Non Hot Spot Design
- Terminal Finishes available: Lead (Pb)-free  
Tin/lead alloy
- Prototype Samples available from 48 h. Please contact [foil@vishaypg.com](mailto:foil@vishaypg.com)
- For better performances, please contact us



RoHS\*  
COMPLIANT

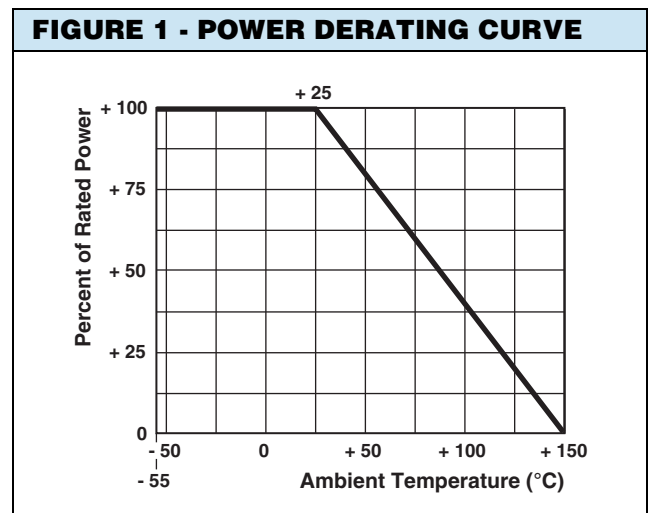
**TABLE 1 - SPECIFICATIONS**

MODEL NUMBER	RESISTANCE RANGE (Ω)	TOLERANCE TO	MAXIMUM WORKING VOLTAGE	POWER <sup>1)</sup> RATING at 25 °C
VPR5	1 to 10	± 0.1 %	300 V	5 W
	> 10 to 100	± 0.05 %		
	> 100 to 100K	± 0.01 %		
VPR7	1 to 10	± 0.1 %	300 V	7 W
	> 10 to 100	± 0.05 %		
	> 100 to 100K	± 0.01 %		

**Note**

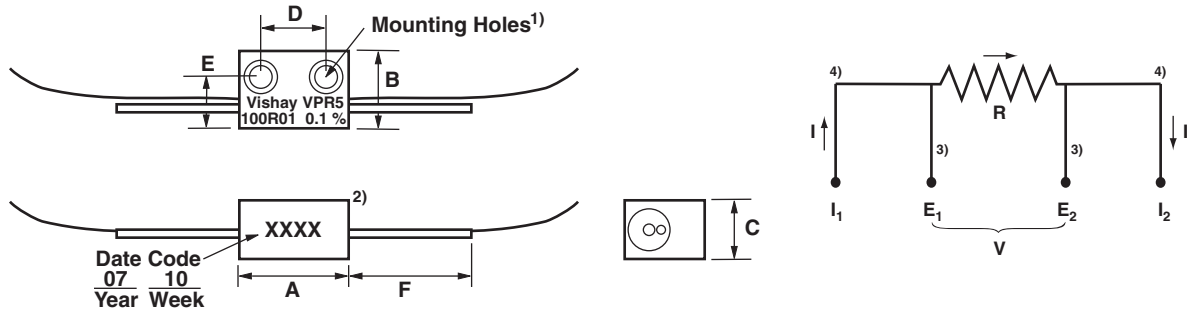
1. Mounted on aluminum chassis (6" L x 4" W x 2" H x 0.040" Th) per MIL-R-39009/1B.

**FIGURE 1 - POWER DERATING CURVE**



\* Pb containing terminations are not RoHS compliant, exemptions may apply

**TABLE 2 - STANDARD IMPRINTING AND DIMENSIONS**



**DIMENSIONS**

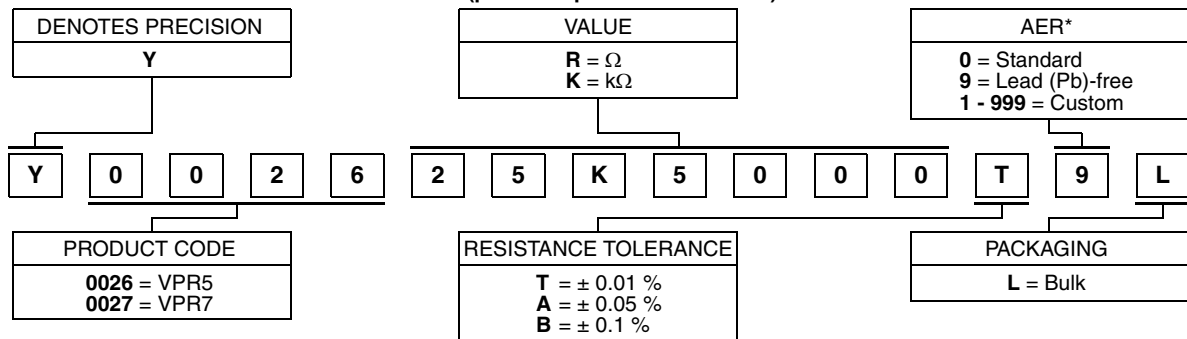
A		B		C		D		E		F (min)	
in	mm	in	mm	in	mm	in	mm	in	mm	in	mm
0.625	15.88	0.450	11.43	0.312	7.93	0.400	10.16	0.350	8.89	1.500	38.10
1.030	26.16	0.450	11.43	0.312	7.93	0.788	20.02	0.350	8.89	1.375	34.90

**Notes**

- #4-40 F.H. Machine Screw (Not Included)
- Anodized Aluminum Housing
- #26 AWG, Teflon Coated, 4" min.
- #20 AWG, Solder Coated Copper

**TABLE 4 - GLOBAL PART NUMBER INFORMATION**

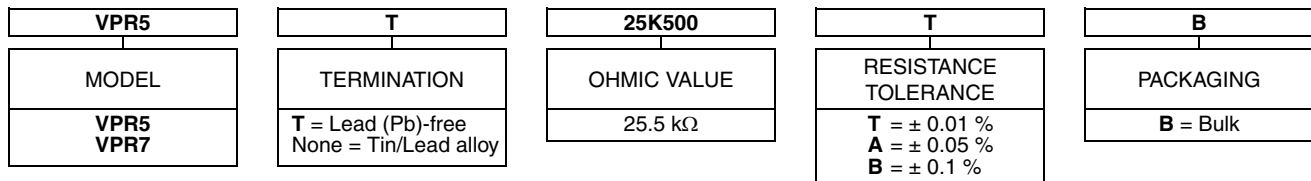
NEW GLOBAL PART NUMBER: Y002625K5000T9L (preferred part number format)



FOR EXAMPLE: ABOVE GLOBAL ORDER Y0026 25K5000 T 9 L:

TYPE: VPR5  
 VALUE: 25.5 kΩ  
 ABSOLUTE TOLERANCE: ± 0.01 %  
 TERMINATION: Lead (Pb)-free  
 PACKAGING: Bulk

HISTORICAL PART NUMBER: VPR5T 25K500 T B (will continue to be used)



**Note**

\* For non-standard requests, please contact Application Engineering.

## Disclaimer

All product specifications and data are subject to change without notice.

Vishay Precision Group, Inc., its affiliates, agents, and employees, and all persons acting on its or their behalf (collectively, "Vishay Precision Group"), disclaim any and all liability for any errors, inaccuracies or incompleteness contained herein or in any other disclosure relating to any product.

Vishay Precision Group disclaims any and all liability arising out of the use or application of any product described herein or of any information provided herein to the maximum extent permitted by law. The product specifications do not expand or otherwise modify Vishay Precision Group's terms and conditions of purchase, including but not limited to the warranty expressed therein, which apply to these products.

No license, express or implied, by estoppel or otherwise, to any intellectual property rights is granted by this document or by any conduct of Vishay Precision Group.

The products shown herein are not designed for use in medical, life-saving, or life-sustaining applications unless otherwise expressly indicated. Customers using or selling Vishay Precision Group products not expressly indicated for use in such applications do so entirely at their own risk and agree to fully indemnify Vishay Precision Group for any damages arising or resulting from such use or sale. Please contact authorized Vishay Precision Group personnel to obtain written terms and conditions regarding products designed for such applications.

Product names and markings noted herein may be trademarks of their respective owners.